

electriciQ

USER MANUAL



60CM INTEGRATED DISHWASHER EQ60DWINTP

Thank you for choosing electriciQ

Please read the manual before using this dishwasher and keep it safe
for future reference.

Visit our page, www.electriQ.co.uk, for our entire product range.

SETTLING IN OK?

We hope this has been helpful to you.

We would love to see how you're getting on with your new purchase, so please share any snaps you have on the platform of your choice below.

Our community awaits your uploads - Snap, tag and hashtag away!



@electriQUK

#electriQUK

WE'RE HERE TO HELP

Should you have any problems or questions with your purchase, please contact a member of our customer service team.

☎ 0330 390 3061

✉ support@electriQ.co.uk

Mon-Fri | 9am to 5pm

Unit 2A, Trident Business Park,
Neptune Way, Leeds Road,
Huddersfield, HD2 1UA

CONTENTS

SAFETY INFORMATION	4
PRODUCT OVERVIEW	6
ACCESSORIES	7
INSTALLATION	8
HOW TO LOAD YOUR DISHWASHER	13
OPERATION	15
WASH CYCLE TABLE	18
CHANGING THE PROGRAMME MID CYCLE	19
FILLING THE DETERGENT	20
ADDING SALT	20
FILLING AND ADJUSTING THE RINSE AID DISPENSER	21
WATER SOFTENER	21
ADJUSTING THE BASKETS	22
CLEANING AND MAINTENANCE	23
ERROR CODES	25
DIMENSIONS	25
TROUBLESHOOTING	26
SUPPORT	29
PRODUCT FICHE	30

SAFETY INFORMATION

Please read this manual carefully and keep it for future reference. If you pass the appliance onto a third party, please ensure you include this manual.

- Installation and repair must only be carried out by a qualified technician.
- This appliance is intended to be used in households and similar applications.
- This appliance is not intended for use by persons (including children) with reduced physical, sensory, or mental capabilities or lack of experience and knowledge unless they have been given supervision or instruction concerning the use of the appliance by a person responsible for their safety.
- Children should be supervised to ensure that they do not play with the appliance.
- Children must not do cleaning and user maintenance without supervision.
- Children of less than 8 years should be kept away from appliances unless continuously supervised.
- Packaging material could be dangerous for children. Please ensure this is kept in a safe place or disposed of.
- This appliance is for indoor household use only.
- To protect against the risk of electric shock, do not immerse the unit, cord or plug in water or other liquid.
- Do not abuse, sit on, or stand on the door or dish rack of the dishwasher.
- Do not operate your dishwasher unless all enclosure panels are properly in place.
- Open the door very carefully if the dishwasher is operating. There is a risk of hot water squirting out or hot steam escaping.
- Do not place heavy objects on or stand on the door when it is open. The appliance could tip forward.
- When loading items to be washed, locate sharp items so they are not likely to damage the door seal.
- **WARNING:** Knives and other sharp-point utensils must be loaded in the basket with their points facing down or placed in a horizontal position.
- Some dishwasher detergents are strongly alkaline, and they can be extremely dangerous if swallowed. Avoid contact with the skin and eyes and keep children away from the dishwasher when the door opens. Check that the detergent powder is empty after the wash cycle is completed.
- Do not wash plastic items unless marked “dishwasher safe” or the equivalent.
- For unmarked plastic items, check the manufacturer's recommendations. Only use detergent and rinse agents that are recommended for use in an automatic dishwasher.
- Always follow the manufacturer guidelines on any detergent or product used in your dishwasher.
- Never use soap, laundry detergent, or hand-washing detergent in your dishwasher.
- The door should not be left open since this could increase the risk of tripping.
- If the supply cord is damaged, it must be replaced by the manufacturer, its service agent, or a similarly qualified person to avoid a hazard.

- During installation, the power supply must not be excessively or dangerously bent or flattened.
- Do not operate the appliance if the casing is cracked.
- Always unplug the appliance before cleaning and maintenance. Wipe the appliance clean with a soft cloth and a mild solution of soapy water.
- To save energy, the dishwasher will automatically turn off after 15 minutes of no usage in the standby state.
- The maximum number of place settings to be washed is 14. Please do not exceed this, as it can damage the appliance or your property.

EARTHING INSTRUCTIONS

- This appliance must be earthed. In the event of a malfunction or breakdown, earthing will reduce the risk of an electric shock by providing a path of least resistance to electric current.
- This appliance is equipped with an earthing conductor plug. The plug must be plugged into an appropriate outlet that is installed and earthed in accordance with all local codes and ordinances. Improper connection of the equipment-earthing conductor can result in the risk of an electric shock.
- Check with a qualified electrician or service representative if you are in doubt whether the appliance is properly grounded.
- Do not modify the plug provided by the appliance if it does not fit the outlet. Have a proper outlet installed by a qualified electrician.
- **CAUTION:** To avoid a hazard due to inadvertent resetting of the thermal cutout, this appliance must not be supplied through an external switching device, such as a timer, or connected to a circuit that is regularly switched on and off by the utility.

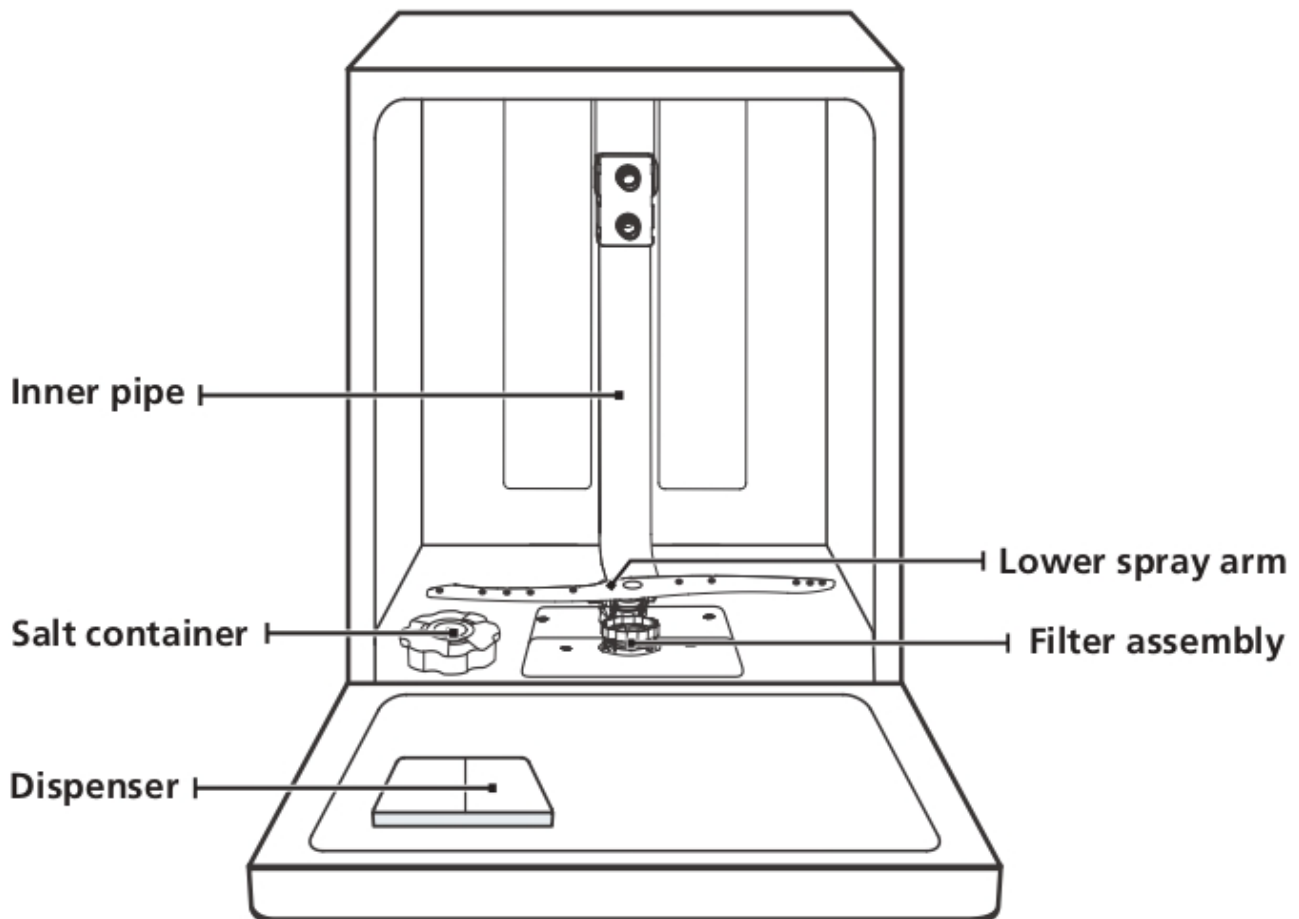
INSTALLATION INSTRUCTIONS

IMPORTANT: A professional and qualified electrician should only perform electrical installation.

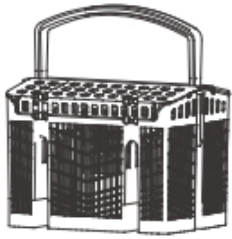
- Do not use an extension cord or an adapter plug with this appliance. Do not, under any circumstances, cut or remove the earthing connection from the power cord.
- Do not install the dishwasher under a hob or any heating appliances.
- Please look at the rating label to determine the rating voltage and connect the dishwasher to the appropriate power supply. Use the required 13Amp fuse, time delay fuse, or circuit breaker recommended, and provide a separate circuit serving only this appliance.
- Ensure the voltage and frequency of the power correspond to those on the rating plate. Only insert the plug into an electrical socket which is adequately earthed. If the electrical socket to which the appliance must be connected is not appropriate for the plug, replace the socket rather than using an adaptor or the like, as they could cause overheating and burns.
- Always ensure you do not block or obstruct any ventilation openings.

- If the hinge area is exposed after installation, this must be covered at the side to prevent injury when opening and closing the appliance.
- Take care when installing the appliance, as failure to adequately secure it could lead to the appliance tipping. This could cause personal or property damage.
- Do not tamper with controls.
- The appliance must be connected to the main water valve using new hose sets. Old sets should not be reused. In standby mode, the appliance will switch off automatically if it is not in operation for 30 minutes to save energy.
- Do not kink, crush, modify or cut through the water hose.
- The dishwasher may fail to operate correctly if the water pressure is incorrect. The maximum inlet water pressure is 1MPa, and the minimum is 0.04MPa.

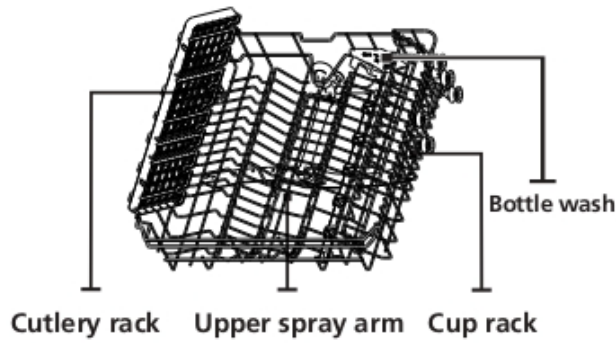
PRODUCT OVERVIEW



ACCESSORIES




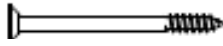








Cutlery basket



Upper basket



Lower basket

PART NUMBER	FIXING	IMAGE	QTY
1	ST4*14		14
2	ST3.5*45		4
3	ST3.5*25		2
4	Bracket		2
5	ST3.5*16		2
6	Condensation Strip		1
7	L Bracket		2
8	Peg		2
9	Screw Cover		2
10	Plinth Bracket		2
11	Door Template	-	1

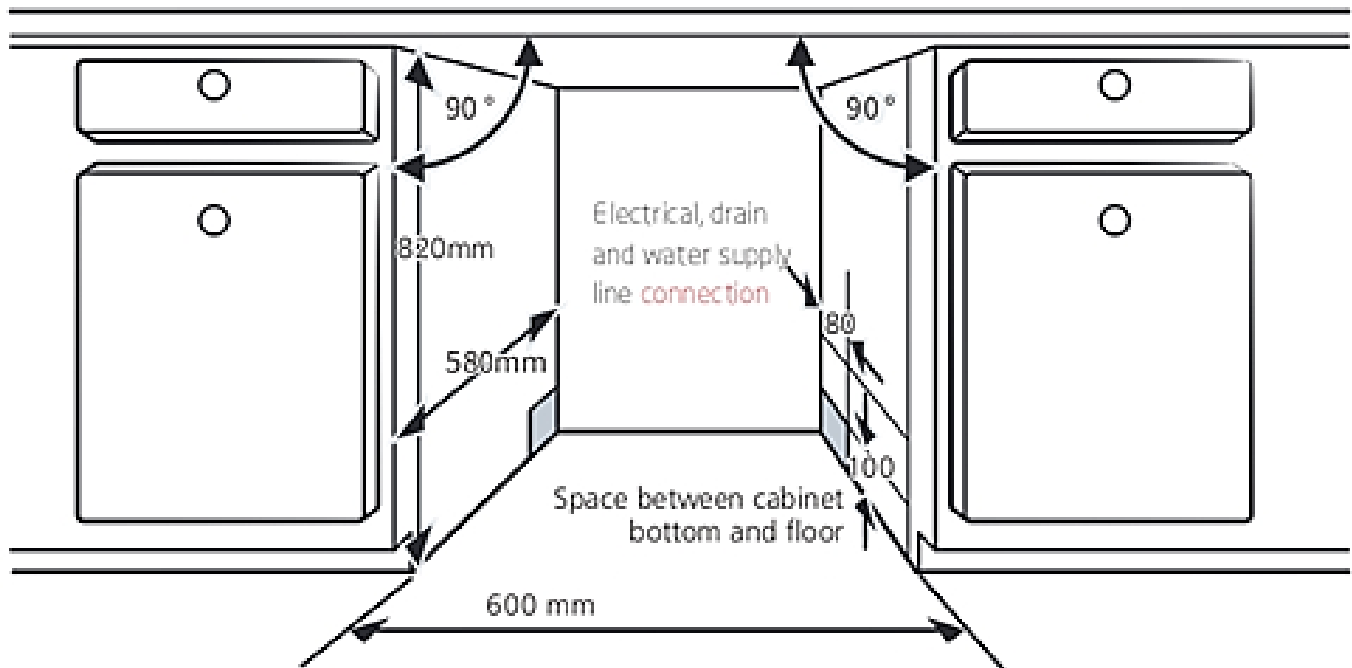
TOOLS REQUIRED

- Tape measure.
- Spirit level
- Drill and drill bit (the diameter of the holes is stated on the door template).
- Screwdriver
- Philips screwdriver
- Spanner
- Pliers

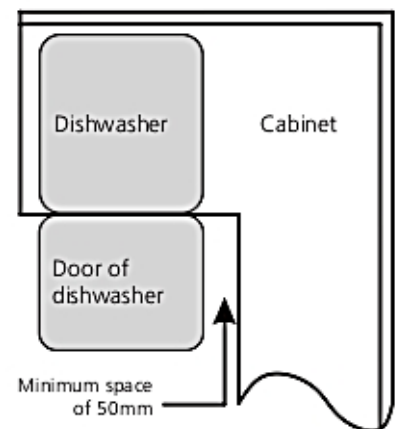
INSTALLATION

BUILT-IN INSTALLATION

IMPORTANT: Installation must be completed by a qualified or competent person, following the guidance in the safety information of this manual and local regulations.

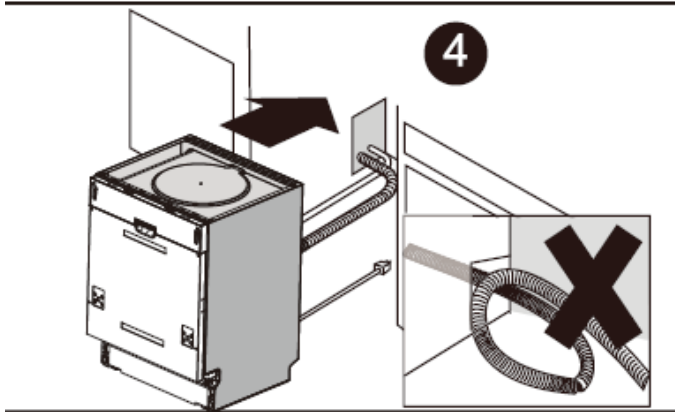
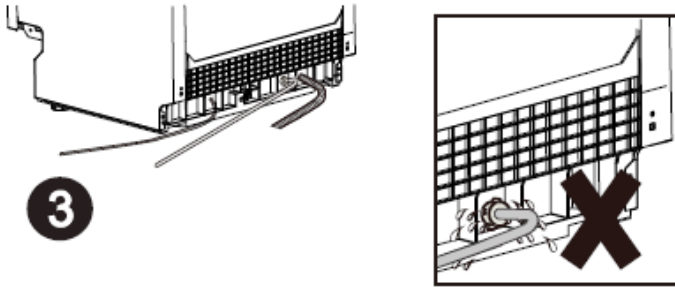
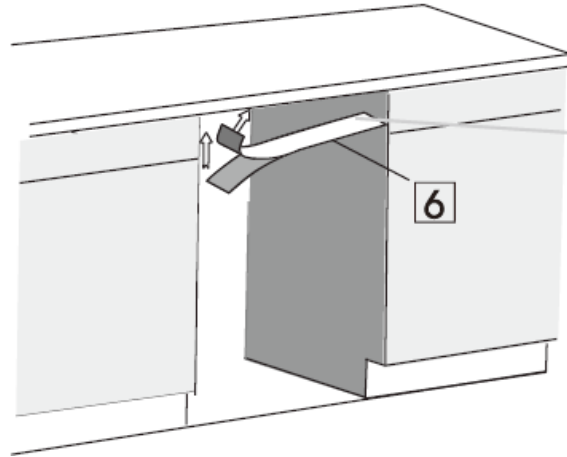


- Select a place near an earthed socket and an existing inlet and drain system. If you do not have a space like this, you will need to contact a qualified person to fit the required connections.
- Always allow at least 5mm of space between the top of the appliance and its cabinet door and the top surface.
- If you are installing this in a corner cabinet, please ensure you allow a minimum of 50mm from the side of the appliance to the adjoining cabinet.
- Ensure the plug will always be accessible once installed.



IMPORTANT: Before full securement, the appliance may tip. It is recommended that two people complete the installation so that one person can keep the dishwasher stable whilst the other performs the installation.

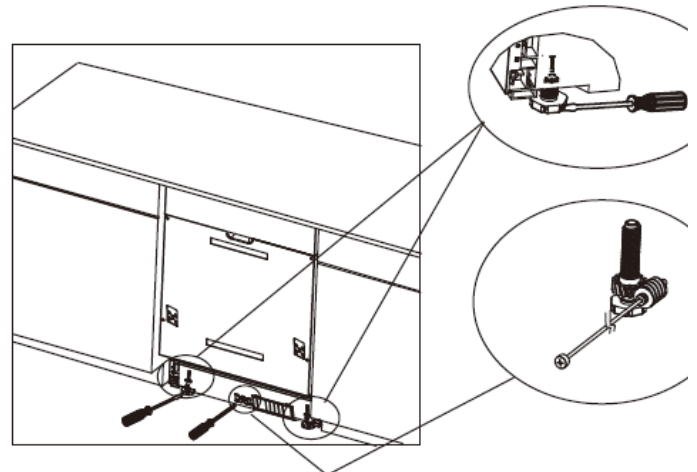
1. Fix the condensation strip (6) to the underside of your worksurface or cabinet, ensuring this is flush with the front edge. This will protect your worksurface from steam

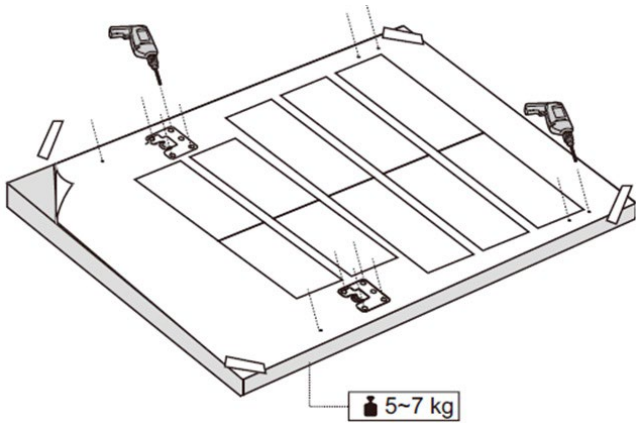


2. Carefully push the appliance into the cabinet, but not all the way and thread your hose pipes and power supply to your connection points.

3. Adjust the feet to a maximum height of 50 mm by using a spirit level on the top of the appliance to ensure it is level.

Use a Philips screwdriver to turn the middle screw clockwise to lower the appliance and anti-clockwise to heighten it. The front two feet are adjusted the same way but with their screws at either end of the base.



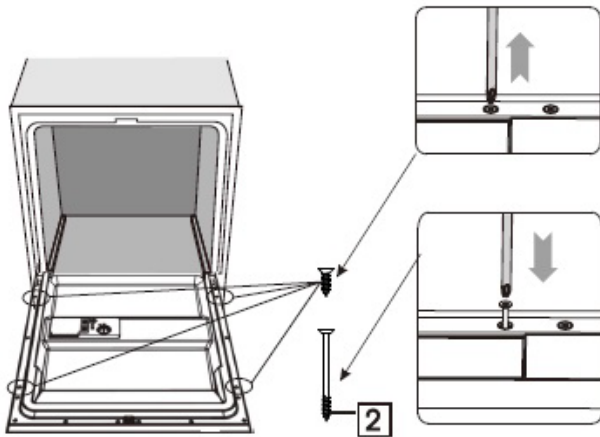
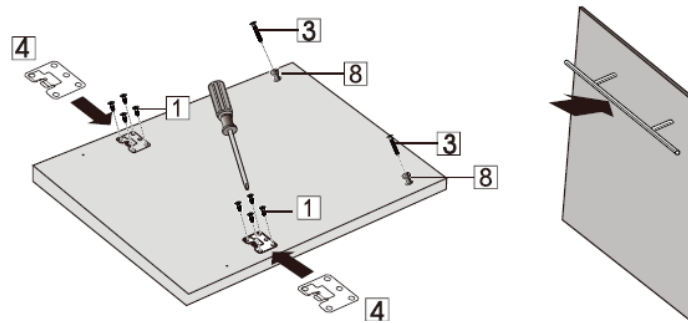


4. Attach the door to the dishwasher.

Measure where you must fit the brackets (4) and pegs (8) to the door, then mark and drill the holes for this on the door panel. Follow the dimensions on the door template.

5. Fix the brackets (4) to the door panel using 4 ST4*14 (1). Then, insert the 2 pegs (8) and secure them using 2 ST3.5*25 (3).

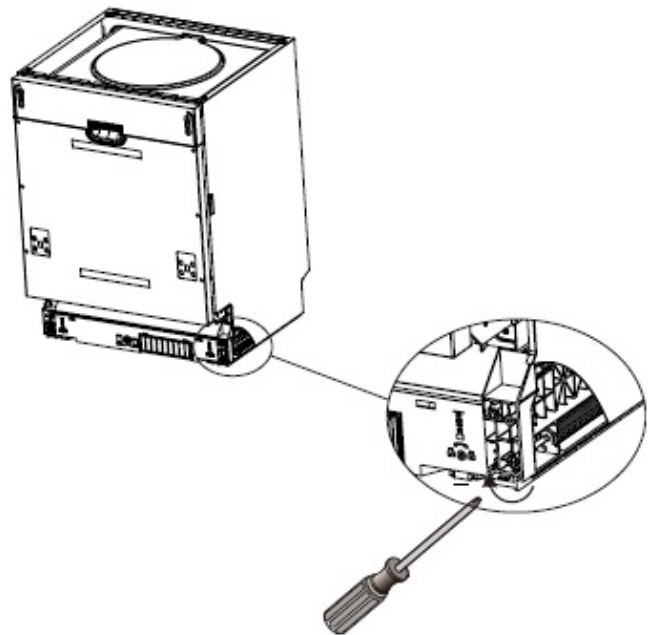
Attach your handle to the door panel.

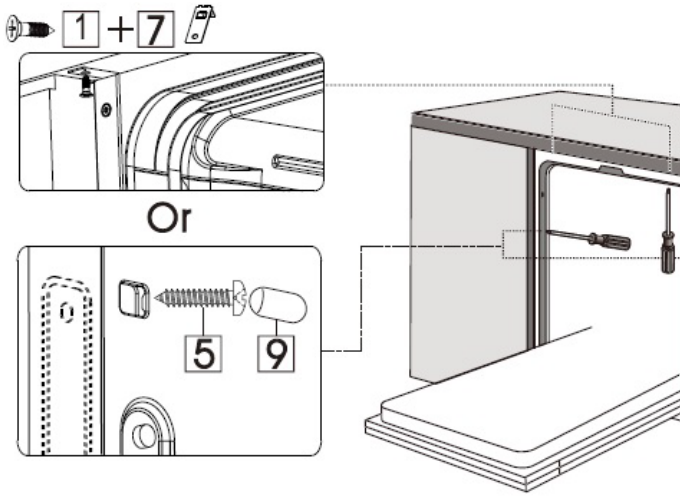


6. Hook the door panel onto the dishwasher door. Then open the dishwasher door and remove the screws from the door and secure the panel to the door using 4 ST3.5*45 (2) into the screw holes.

5. Tighten the door springs at both sides by turning the screw clockwise with a Philips screwdriver. Turn anti-clockwise to loosen the springs.

The correct tension level is achieved once the door remains open horizontally and will close with a slight push.





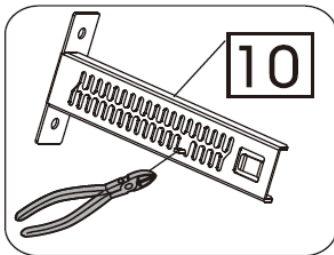
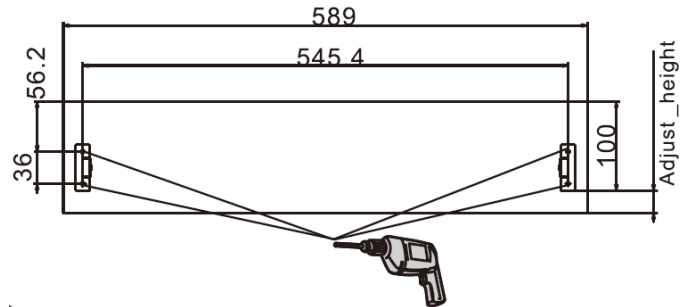
6. Depending on the material of your worktop, the installation differs slightly.

Standard worktop: Secure the dishwasher to the worktop using the L Brackets (7) and 4 ST4*14 (1).

Marble or Granite worktop (or similar): Secure the unit to the cabinet sides using 2 ST3.5*16 (5). Then cover them with the screw covers (9).

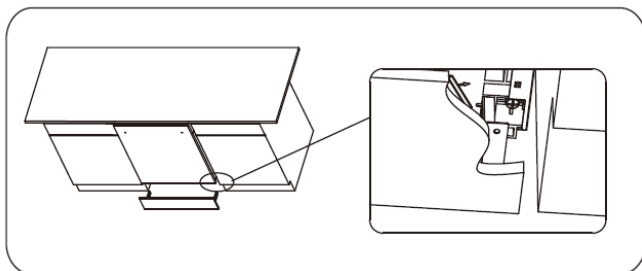
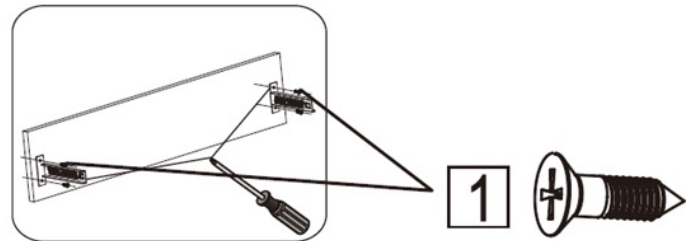
7. If you have a continuous plinth for your kitchen cabinets, install this now. Alternatively, you can fix a plinth to the dishwasher solely.

Ensure the plinth is the correct size, then drill holes for the plinth brackets to be attached.



8. Adjust the length of the plinth brackets (10) by bending a prong so that when inserted, the prong prevents the bracket from being fully inserted.

9. Secure the plinth brackets (10) to the plinth using 4 ST4*14 (1).



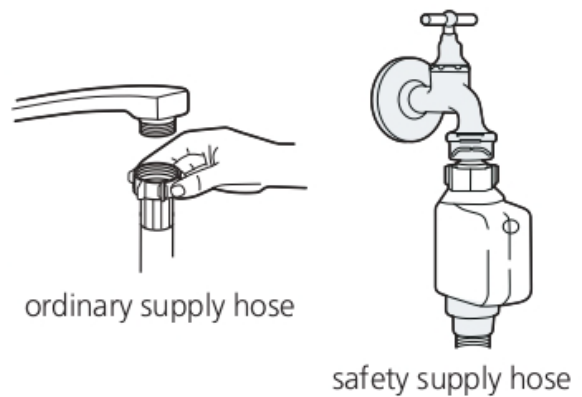
10. Slide the plinth assembly into the dishwasher.

11. Connect the dishwasher to the water, drainage and power as detailed next.

WATER CONNECTION

Connect the cold-water supply hose to a threaded 3/4(inch) connector and fasten it tightly in place. If the water pipes are new or have not been used for an extended period, let the water run to ensure that it is clear. This precaution is needed to avoid the risk of the water inlet being blocked and damaging the appliance.

Safety supply hose: This consists of double walls. The hose's system guarantees its intervention by blocking the flow of water in case the supply hose breaks and when the air space between the supply hose itself and the outer corrugated hose is full of water.



CONNECTING THE SAFETY SUPPLY HOSE

1. Remove the safety supply hoses from the storage compartment located at the rear of the dishwasher.
2. Tighten the screws of the safety supply hose to the faucet with 3/4-inch thread.
3. Turn the water fully on before starting the dishwasher.

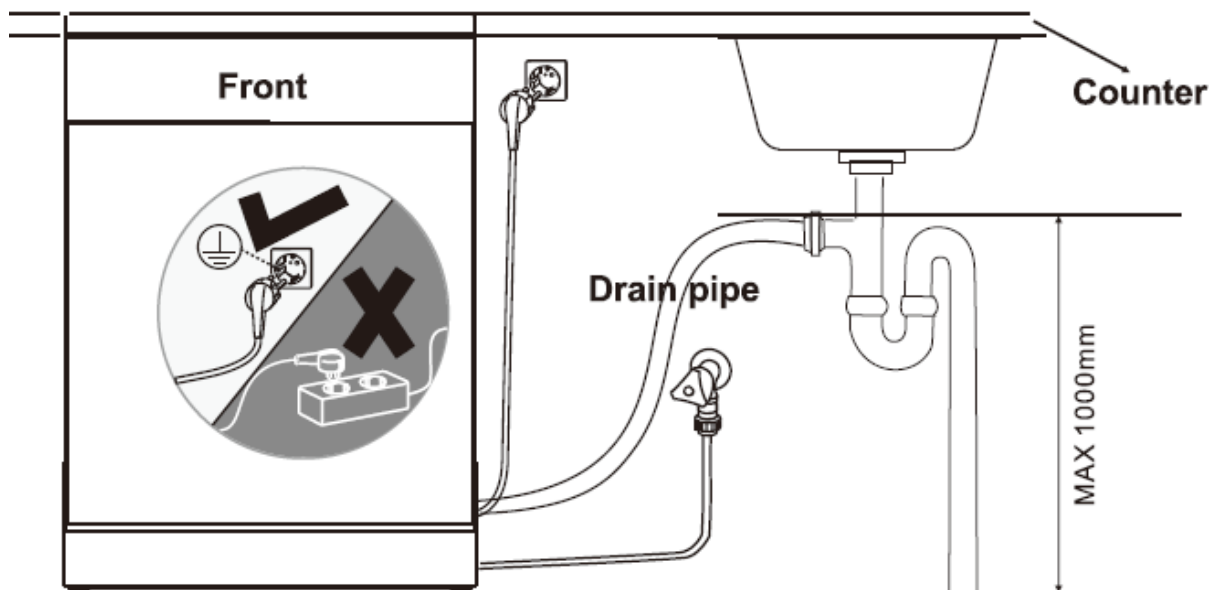
DISCONNECTION THE SAFETY SUPPLY HOSE

1. Turn off the water.
2. Unscrew the safety supply hose from the faucet.

DRAIN CONNECTION

Insert the drain hose into a drain pipe with a minimum diameter of 4cm, or let it run into the sink, making sure to avoid bending or crimping it. The free end of the hose must be at a height lower than 100cm above the base of the dishwasher and must not be immersed in water to avoid the backflow of the water. Securely fix the hose into position A or B.

NOTE: Do not exceed the maximum height, as the dishwasher may fail to drain correctly.



HOW TO DRAIN EXCESS WATER FROM HOSES

If the sink is 100 cm higher than the floor, the excess water in the hoses cannot be drained directly into the sink. It will be necessary to drain excess water from hoses into a bowl or suitable container that is held outside and lower than the sink.

WATER OUTLET

Connect the water drain hose. The drain hose must be correctly fitted to avoid water leaks. Ensure that the water drain hose is not kinked or squashed.

EXTENSION HOSE

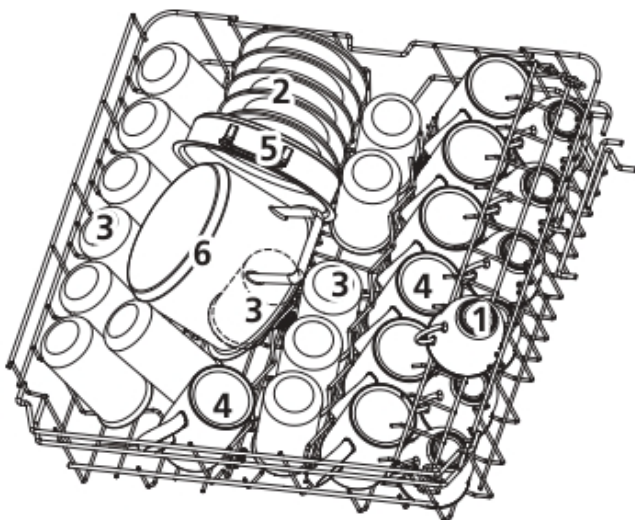
If you need a drain hose extension, use a similar one. It must be no longer than 4 meters; otherwise, the dishwasher's cleaning effect could be reduced.

SYPHON CONNECTION

The waste connection must be at a height less than 100 cm (maximum) from the bottom of the dish. The water drain hose should be fixed.

HOW TO LOAD THE BASKETS ACCORDING TO EN60436

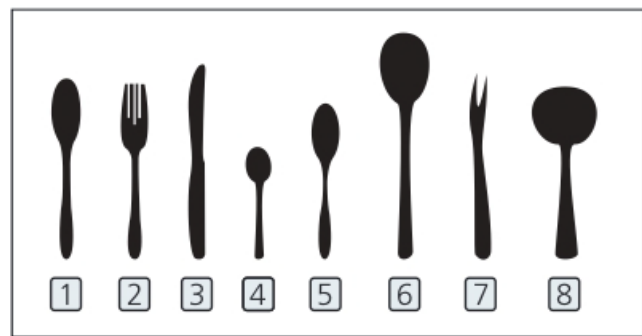
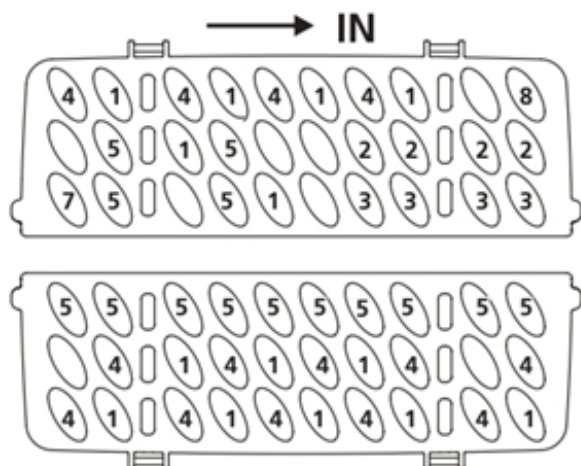
UPPER BASKET



Number	Item
1	Cups
2	Saucers
3	Glasses
4	Mugs
5	Oven pot
6	Small pot

LOWER BASKET

CUTLERY BASKET



Information for comparability tests in accordance with EN60436:

Capacity: 14 Place Settings.

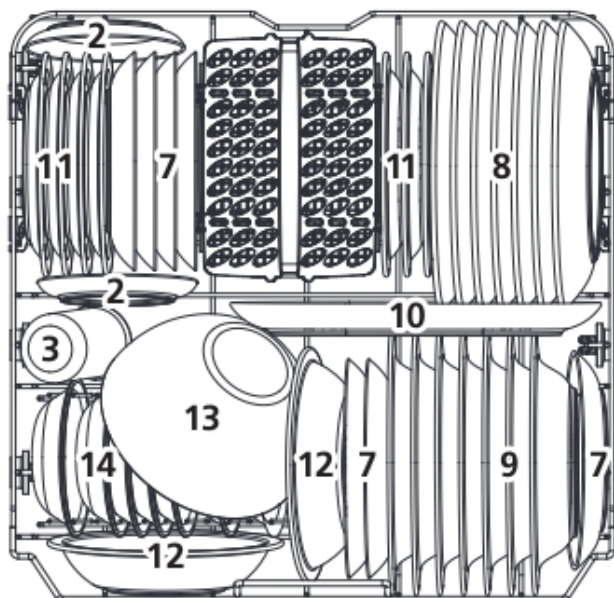
Position of the upper basket: Lower Position.

Program: ECO.

Rinse aid setting: Max.

Maximum softener setting: H6.

Number	Item
1	Soup spoons
2	Forks
3	Knives
4	Tea spoons
5	Dessert spoons
6	Serving spoons
7	Serving fork
8	Gravy ladle

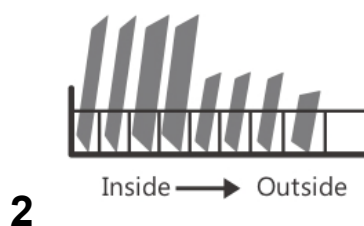


Number	Item
7	Dessert plates
8	Dinner plates
9	Soup plates
10	Oval platter
11	Melamine dessert plates
12	Melamine bowls
13	Glass bowl
14	Dessert bowls
15	Cutlery basket

OPERATION



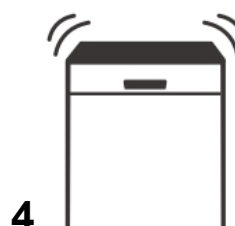
Scrape food residue from the crockery before loading them into the dishwasher.



Load the baskets.

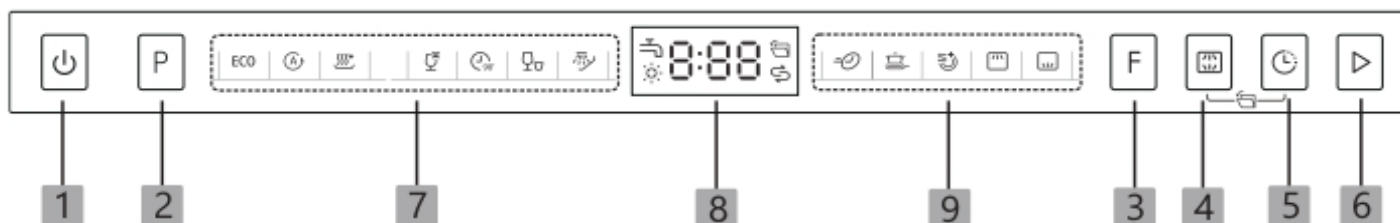


Fill the dispenser with detergent and rinse aid.










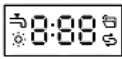




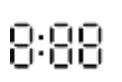





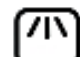

Select your desired programme and press start. The lamp at the bottom of the dishwasher will light up during the program and then blink for the last 5 minutes.

CONTROL PANEL



NO.	FUNCTION	ICON	DESCRIPTION
1	Power		Press this button to turn on the dishwasher.
2	Program		Repeatedly press to select your wash program; the program indicators will light up with a selection.
3	Function		Repeatedly press to select your desired function; the function indicators will light up with a selection.
4	Alt		Press to select between the upper basket and lower basket. The corresponding icons will be displayed.

5	Delay		Repeatedly press to increase the delay hours by 1 hour with each press; once you have reached your desired delay time, close the door to start the timer.
6	Start		Press to start the selected program.
7	Program Indicator	Individual indicators.	Indicates which programme is selected via the corresponding indicator lighting up.
			ECO: The standard program is suitable for usually soiled loads, such as pots, plates, glasses, and lightly soiled pans.
			Auto-sensing wash: Any soiled crockery with or without dried food.
			Hygiene: Sanitises your dishes and glassware. The water temperature will be maintained at 72°C.
			Glass: For lightly soiled crockery and glass.
			90 MIN: For usually soiled loads that only need a quick wash.
			Rapid: For lightly soiled loads that do not need drying. This is a rapid wash program.
			Soak: To rinse dishes you plan to wash later.
8	Display Screen		Displays relevant information to your selections.
			If this lights up, the water faucet is closed.
			The rinse aid icon will light up to alert you to refill the dishwasher with rinse aid.
			The salt icon will light up to alert you to refill the dishwasher with salt.
			To activate auto open, select ALT and DELAY together; this icon will light up. This can not be used with the Rapid or Soak program.
			It will display the remaining time on a program or the delay function, the selected temperature and any error codes.

9	Modes	Individual indicators.	Indicates which mode has been selected with the current program.
			Express: Reduce the ECO, hygiene, 90MIN or Glass program time.
			Power Wash: Add extra power to a wash program for heavily soiled or hard-to-clean crockery.
			Extra Drying: To add extra drying time to the ECO, Hygiene, 90MIN or Glass program.
			Upper Basket: Select the upper basket only for washing. The arm on this basket will be the only one to operate.
			Lower Basket: Select the lower basket only for washing. The arm on this basket will be the only one to operate.

IMPORTANT: The door must not be obstructed when using the auto-open function. Otherwise, the door could be damaged.

STARTING A CYCLE WASH

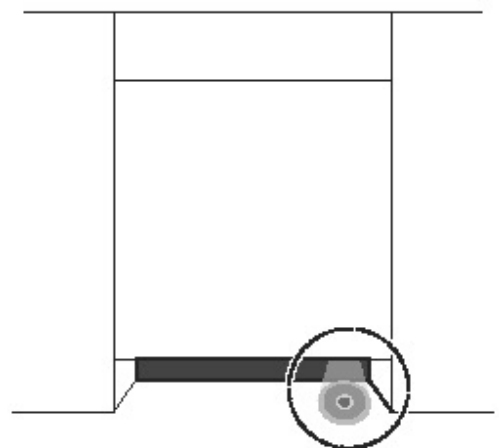
1. Slide out the lower and upper baskets, load the dishes, and push them back. It is recommended that you load the lower basket first, then the upper one.
2. Insert the required quantity of detergent.
3. Plug in the appliance. Make sure that the water supply is turned on to full pressure.
4. Close the door and press the power button to switch on the machine.
5. Select the required program. Then, press the start/pause button, and the dishwasher will start its cycle.

SAVING ENERGY

- Pre-rinsing items can lead to increased water and energy consumption.
- Washing cutlery and tableware in a dishwasher usually consumes less energy and water in the use phase than hand washing, provided the dishwasher is used in line with instructions.







FLOOR INDICATOR LAMP

The floor indicator lamp lights up when a cycle is in progress. When there are 5 minutes left of the programme, the lamp flashes, then extinguishes once the programme has ended.



WASH CYCLE TABLE

The table below shows which programs are best for the food residue levels and how much detergent is needed. It also provides information about various programs.

Program	Description Of Cycle	Detergent Pre/Main Wash	Running Time(min)	Energy (kWh)	Water (L)	Rinse Aid
ECO (*En60436)	Wash(50°C) Rinse Rinse(50°C) Drying	$\frac{22}{1 \text{ or } 2 \text{ tabs}}$	198	0.849	10	●
 Auto	Pre-wash(45°C) Wash(55-65°C) Rinse Rinse Rinse(50-55°C) Drying	$\frac{4/18}{1 \text{ or } 2 \text{ tabs}}$	85-150	1.050-1.551	10.6-15.9	●
 Hygiene	Pre-wash(50°C) Wash(72°C) Rinse Rinse Rinse(72°C) Drying	$\frac{4/18}{1 \text{ or } 2 \text{ tabs}}$	215	1.800	18.5	●
 Glass	Pre-wash(40°C) Wash(50°C) Rinse Rinse(60°C) Drying	$\frac{4/18}{1 \text{ or } 2 \text{ tabs}}$	125	1.015	13.5	●
 90 min	Wash(55°C) Rinse Rinse(60°C) Drying	$\frac{22}{1 \text{ or } 2 \text{ tabs}}$	90	0.950	10.3	●
 Rapid	Wash(40°C) Rinse(40°C) Rinse(55°C)	$\frac{12}{1 \text{ tab}}$	30	0.781	11.0	○
 Soak	Prewash	/	15	0.021	4.0	●

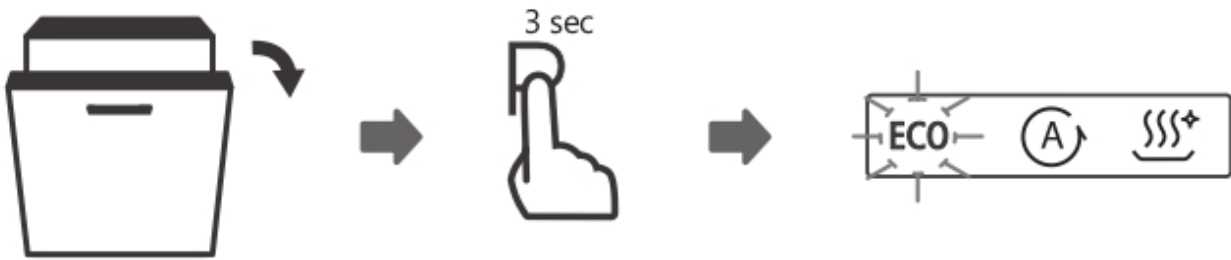
NOTE: EN 60436: The information for the comparability test in accordance with EN 60436. This program is the test cycle. The ECO program is the most efficient program in terms of water and energy consumption.

CHANGING THE PROGRAM MID-CYCLE

A wash cycle can only be changed if it has been running for a short time. Otherwise, the detergent may have already been released, or the dishwasher may have already drained the wash water. If this is the case, the dishwasher must be reset, and the detergent dispenser must be refilled.

To reset the dishwasher, follow the instructions below:

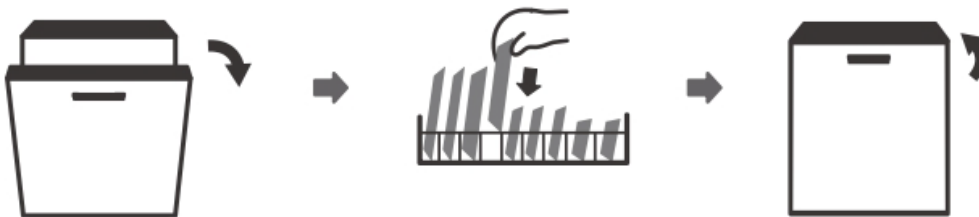
1. Open the door slightly to stop the spray arms from working and allow any steam to escape and dissipate. Then, open the door completely.
2. Hold the PROGRAM button for 3 seconds, and the dishwasher will be in selection mode.
3. Select your desired program, close the door, and press start.



FORGOT TO ADD A DISH?

A forgotten dish can be added any time before the detergent dispenser opens. If this is the case, follow the instructions below:

1. Open the door slightly to stop the spray arms from working and allow any steam to escape and dissipate. Then, open the door completely.
2. Add the dishes.
3. Close the door, and the dishwasher will start after 10 seconds of inactivity.



⚠ WARNING



It is dangerous to open the door mid-cycle, as hot steam may scald you.

FILLING THE DETERGENT DISPENSER

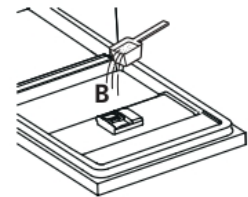
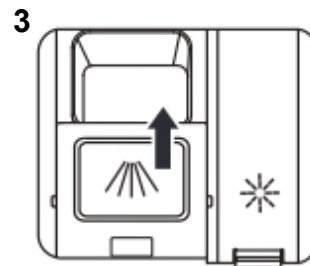
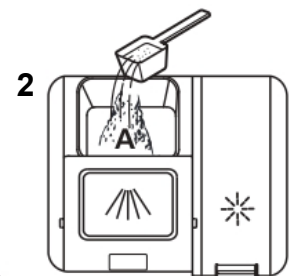
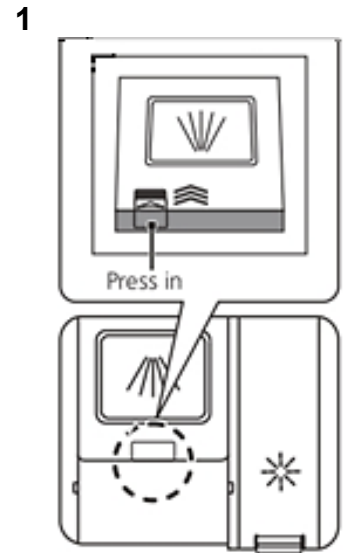
1. Open the cap by pressing in the release latch.

2. Add detergent into the larger cavity for a main wash.

TOP TIP: Pour a small amount of detergent onto the inner door for heavily soiled items. This will add a small amount of detergent during a prewash.

3. Close them by sliding them into place and then pushing them down.

NOTE: Always follow the detergent manufacturers' guidance.



ADDING SALT

Remove the lower basket and unscrew the reservoir cap.



Place the end of the funnel into the hole and pour in around 1.5kg of salt.




Fill the salt container to its maximum limit with water. A small amount of water will usually come out.

After filling the container, screw the cap back on.





The salt warning light will stop after the salt container has been filled. A washing program should be started immediately after filling the salt into the salt container (We suggest using a short program). Otherwise, the filter system, pump or other essential parts of the machine may be damaged by salty water. Failure to do this would be considered misuse and not covered under the warranty.

NOTE: The salt container must only be refilled when the salt warning light () on the control panel illuminates.

Depending on how well the salt dissolves, the salt warning light may still be on even though the salt container is filled. If salt has spilt, run a soak or quick program to remove it.

FILLING THE RINSE AID RESERVOIR

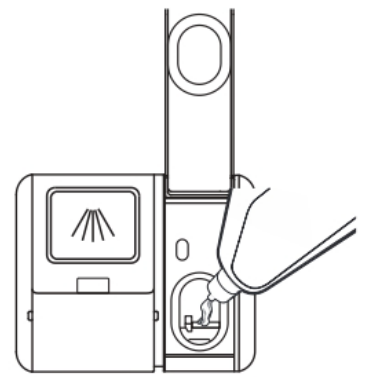


Remove the rinse reservoir cap by lifting the lever.

Carefully pour in the rinse aid, ensuring that you do not overfill it.



Close the cap.



ADJUSTING THE RINSE AID RESERVOIR

1. Open the door and turn the dishwasher on.
2. Within 60 seconds of powering on, hold the PROGRAM button for 5 seconds, then press the DELAY button to enter this setting. The rinse aid icon will flash.
3. Repeatedly press the PROGRAM button to select your required setting based on your washing habits. The higher the number, the more rinse aid will be released. The sets will change in the following order: d3 – d4 – d5 -d1 – d2 – d3.
4. Press the POWER button to confirm or leave the dishwasher inactive for 5 seconds to confirm the setting.

WATER SOFTENER

- Water hardness varies from place to place. If hard water is used in the dishwasher, deposits will form on the dishes and utensils. The appliance has a special softener using a salt container designed to eliminate lime and minerals from the water.
- The water softener must be set manually using the water hardness dial. It is designed to remove minerals and salts from the water, which can harm or adversely affect the appliance's operation. The more minerals there are, the harder your water is. The softener

should be adjusted according to the hardness of the water in your area. Your local Water Authority can advise you on the hardness of the water in your area.

- Adjusting salt consumption: the dishwasher is designed to allow for adjustment in the amount of salt consumed based on the hardness of the water used. This is intended to optimise and customise the level of salt consumption.

NOTE: The default setting is H3.

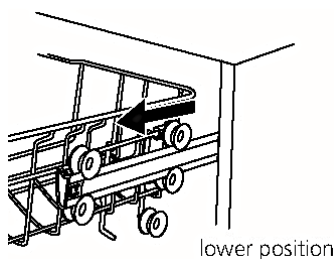
WATER HARDNESS				Water softner level	Regeneration occurs every X program sequence ¹⁾	Salt consumption (gram/cycle)
German °dH	French °fH	British °Clarke	Mmol/l			
0 - 5	0 - 9	0 - 6	0 - 0.94	H1	No regeneration	0
6 - 11	10 - 20	7 - 14	1.0 - 2.0	H2	10	9
12 - 17	21 - 30	15 - 21	2.1 - 3.0	H3	5	12
18 - 22	31 - 40	22 - 28	3.1 - 4.0	H4	3	20
23 - 34	41 - 60	29 - 42	4.1 - 6.0	H5	2	30
35 - 55	61 - 98	43 - 69	6.1 - 9.8	H6	1	60

1. Open the door and turn the dishwasher on.
2. Within 60 seconds of powering on, hold the PROGRAM button for 5 seconds, and the washer will enter water softener setting mode.
3. Repeatedly press PROGRAM to select the correct setting for your environment; the sets will change in the following sequence: H3 – H4 – H5 – H6 – H1 – H2 – H3.
4. Press the POWER button to confirm or leave the dishwasher inactive for 5 seconds to confirm the setting.

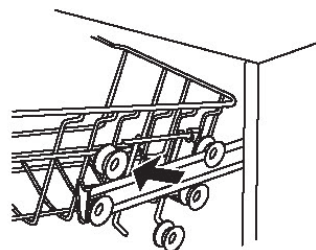
IMPORTANT: Each setting with a regeneration operation consumes an additional 2.0 litres of water, increasing all programmes by 4 minutes and the energy consumption by 0.02kWh.

ADJUSTING THE BASKETS

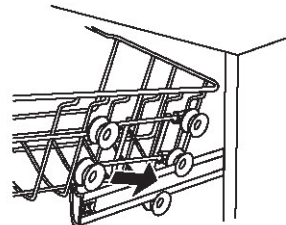
UPPER BASKET



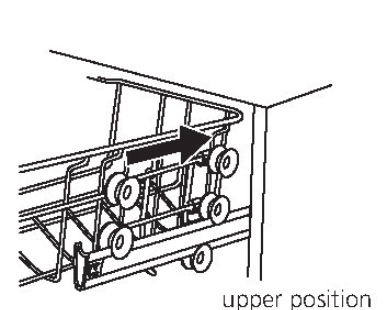
Pull the basket towards you.



Then lift up and out of the dishwasher.



Re-attach the upper basket to the upper rollers. (to lower chose the lower rollers).



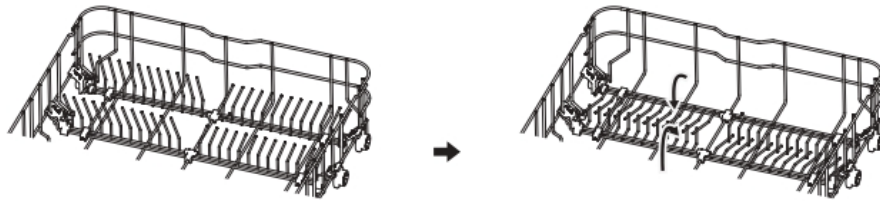
Push the basket back into the dishwasher.

FOLDING THE CUP SHELVES

- Lift the rack up and place the taller items against it to keep it up.



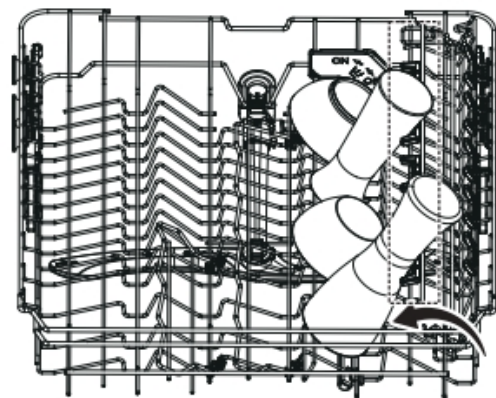
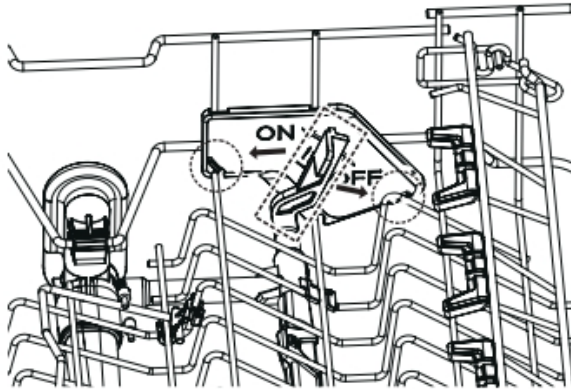
FOLDING THE PLATE RACKS



- Push the racks inwards and down to lower them; then, you can add items on top. Do the opposite to raise them.

BOTTLE WASH

- Fold down the cup shelves and place the bottle onto the nozzle.
- Move the lever to the ON position. Do not leave this between ON and OFF; this can affect performance.
- To turn it off, move the lever to the OFF position.



CLEANING AND MAINTENANCE

IMPORTANT: The dishwasher must be disconnected from the power supply before cleaning or maintenance.

- Clean the door seals regularly with a soft, damp cloth to remove food deposits. When the dishwasher is loaded, food and drink residues may drip onto the sides of the dishwasher door. These surfaces are outside the wash cabinet and are not accessed by water from the spray arms. Any deposits should be wiped off before the door is closed.
- Clean the control panel with a soft, damp cloth.
- After each wash, open the door and turn the water supply off so the moisture and odours can disperse.
- If you need to move the appliance, use two people to keep it vertical.

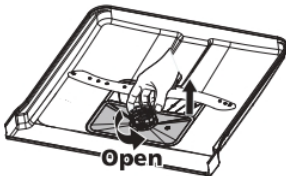
WHEN NOT IN OPERATION FOR AN EXTENDED PERIOD

Run an empty wash, then leave the door open and disconnect the appliance from the water and power. This will prevent odours and bacteria growth and lengthen the lifespan of the door seals.

CLEANING THE FILTERS

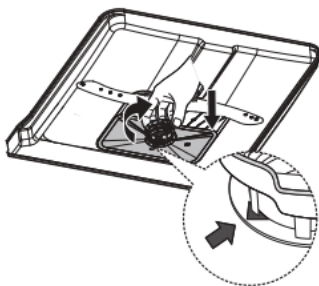
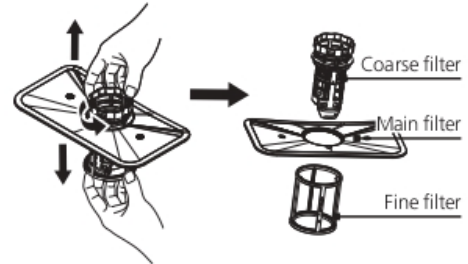
The filtering system in the base of the wash cabinet retains coarse debris from the washing cycle. The collected coarse debris may cause the filters to clog. Check the condition of the filters regularly and clean them, if necessary, under running water. Follow the steps below to clean the filters in the wash cabinet.

IMPORTANT: Do not use the dishwasher without the filters in place. Ensure you do not over-tighten the filters when refitting, as this can damage them.



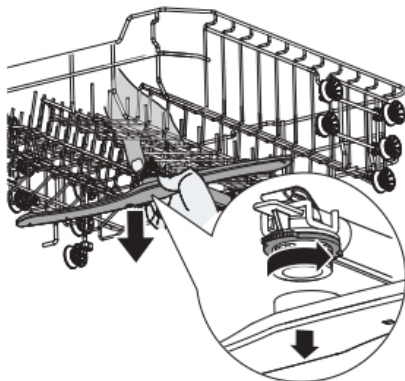
- Hold the coarse filter and rotate anti-clockwise to unlock. Lift the filter assembly up and out of the dishwasher.

- Pull down on the fine filter to release it from the filter assembly.
- To release the coarse filter from the assembly, gently squeeze the tabs at the top.



- Clean the filter assembly by rinsing under water or using a soft brush.
- Re-insert the filter assembly in reverse order.

CLEANING THE SPRAY ARMS



You will need to clean the arms regularly, as hard water and chemical residue build up on them, which can block a water jet.

- Remove the upper arm by holding the centre in place and rotating the arm counterclockwise.
- Remove the lower arm by pulling up.
- Wash the arms in a warm, mild, soapy solution and use a soft brush to clean.

FROST PRECAUTION

Please take frost protection measures on the dishwasher in winter. Every time after washing cycles, please operate as follows:

1. Cut off the electrical power to the dishwasher at the supply source.
2. Turn off the water supply and disconnect the water inlet pipe from the water valve.
3. Drain the water from the inlet pipe and water valve. (Use a pan to gather the water)
4. Reconnect the water inlet pipe to the water valve.
5. Remove the filter at the bottom of the tub and use a sponge to soak up water in the sump.

After every wash, turn off the appliance's water supply and leave the door slightly open so that moisture and odours are not trapped inside.

Remove the plug before cleaning or performing maintenance. Always remove the plug from the socket.

NO SOLVENTS OR ABRASIVE CLEANING

Do not use solvents or abrasive cleaning products to clean the dishwasher's exterior and rubber parts.

Only use a cloth with warm, soapy water. To remove spots or stains from the surface of the interior, use a cloth dampened with water and a little vinegar or a cleaning product made specifically for dishwashers. When not in use for a long time, It is recommended that you run a wash cycle with the dishwasher empty, remove the plug from the socket, turn off the water supply, and leave the appliance door slightly open. This will help the door seals to last longer and prevent odours from forming within the appliance. One of the factors that cause odours to form in the dishwasher is food that remains trapped in the seals. Periodic cleaning with a damp sponge will prevent this from occurring.

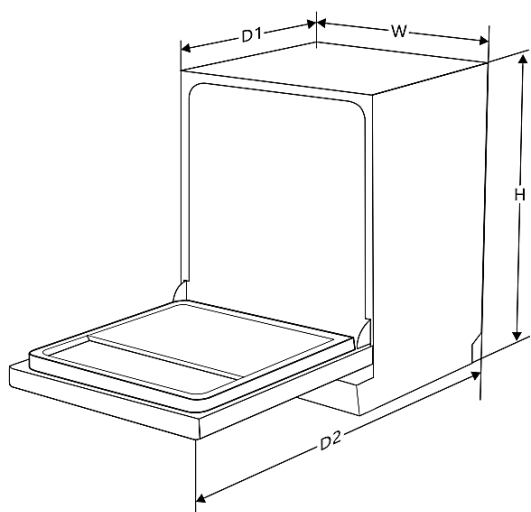
ERROR CODES

Error	Meaning	Possible Causes
E1	Longer water inlet time.	The faucet is not opened. Water intake is restricted. The water pressure is too low.
E3	Not reaching the required temperature.	Malfunction of heating element.
E4	Overflow.	There may be a leak in part of the dishwasher.
E8	Failure of the orientation of the distributary valve.	There is an open circuit, or the distributary valve is damaged.
Ed	Failure of communication between the main circuit board and the display circuit board.	There is an open circuit or a communication wiring failure.

IMPORTANT: If the E4 error occurs, turn off the main water supply before contacting the manufacturer.

If water remains in the bottom of the dishwasher after any error, this needs to be removed before restarting the dishwasher.

DIMENSIONS



Height (H)	815mm
Width (W)	598mm
Depth (D1)	550mm (with the door closed)
Depth (D2)	1150mm (with the door opened 90°)

TROUBLESHOOTING

Before Calling For Service

Reviewing the charts on the following pages may save you from calling for service.

Problem	Possible Causes	What To Do
Dishwasher doesn't start	Fuse blown, or the circuit break tripped.	Replace fuse or reset circuit breaker. Remove any other appliances sharing the same circuit with the dishwasher.
	Power supply is not turned on.	Make sure the dishwasher is turned on and the door is closed securely. Make sure the power cord is properly plugged into the wall socket.
	Water pressure is low	Check that the water supply is connected properly and the water is turned on.
	Door of dishwasher not properly closed.	Make sure to close the door properly and latch it.
Water not pumped from dishwasher	Twisted or trapped drain hose.	Check the drain hose.
	Filter clogged.	Check the filter system.
	Kitchen sink clogged.	Check the kitchen sink to make sure it is draining well. If the problem is the kitchen sink that is not draining, you may need a plumber rather than a serviceman for dishwashers.
Foam in the tub	Wrong detergent.	Use only the special dishwasher detergent to avoid suds. If this occurs, open the dishwasher and let suds evaporate. Add 1 liter of cold water to the bottom of the dishwasher. Close the dishwasher door, then select any cycle. Initially, the dishwasher will drain out the water. Open the door after draining stage is complete and check if the suds have disappeared. Repeat if necessary.

Problem	Possible Causes	What To Do
Dishwasher doesn't start	Fuse blown, or the circuit break tripped.	Replace fuse or reset circuit breaker. Remove any other appliances sharing the same circuit with the dishwasher.
	Power supply is not turned on.	Make sure the dishwasher is turned on and the door is closed securely. Make sure the power cord is properly plugged into the wall socket.
	Water pressure is low	Check that the water supply is connected properly and the water is turned on.
	Door of dishwasher not properly closed.	Make sure to close the door properly and latch it.
Water not pumped form dishwasher	Twisted or trapped drain hose.	Check the drain hose.
	Filter clogged.	Check the filter system.
	Kitchen sink clogged.	Check the kitchen sink to make sure it is draining well. If the problem is the kitchen sink that is not draining , you may need a plumber rather than a serviceman for dishwashers.
Foam in the tub	Wrong detergent.	Use only the special dishwasher detergent to avoid suds. If this occurs, open the dishwasher and let suds evaporate. Add 1 liter of cold water to the bottom of the dishwasher. Close the dishwasher door, then select any cycle. Initially, the dishwasher will drain out the water. Open the door after draining stage is complete and check if the suds have disappeared. Repeat if necessary.

Problem	Possible Causes	What To Do
The dishes are not clean.	Not enough detergent was dispensed.	Use more detergent, or change your detergent.
	Items are blocking the movement of the spray arms.	Rearrange the items so that the spray can rotate freely.
	The filter combination is not clean or is not correctly fitted in the base of wash cabinet. This may cause the spray arm jets to get blocked.	Clean and/or fit the filter correctly. Clean the spray arm jets.
Cloudiness on glassware.	Combination of soft water and too much detergent.	Use less detergent if you have soft water and select a shorter cycle to wash the glassware and to get them clean.
White spots appear on dishes and glasses.	Hard water area can cause limescale deposits.	Check water softener settings or fill status of salt container.
Black or grey marks on dishes	Aluminium utensils have rubbed against dishes	Use a mild abrasive cleaner to eliminate those marks.
Detergent left in dispenser	Dishes block detergent dispenser	Re-loading the dishes properly.
The dishes aren't drying	Improper loading	Use gloves if detergent residue can be found on dishes to avoid skin irritations.
	Dishes are removed too soon	Do not empty your dishwasher immediately after washing. Open the door slightly so that the steam can come out. Take out the dishes until the inside temperature is safe to touch. Unload the lower basket first to prevent the dropping water from the upper basket.

Problem	Possible Causes	What To Do
The dishes aren't drying	Wrong program has been selected.	With a short program, the washing temperature is lower, decreasing cleaning performance. Choose a program with a long washing time.
	Use of cutlery with a low-quality coating.	Water drainage is more difficult with these items. Cutlery or dishes of this type are not suitable for washing in the dishwasher.

SUPPORT

electriQ UK SUPPORT

www.electriQ.co.uk/support

For your convenience, please check the troubleshooting guide before calling the service line.

If the unit still fails to operate, call 0330 390 3061

Office hours: 9 AM - 5 PM, Monday to Friday

www.electriQ.co.uk

Unit 2A, Trident Business Park,

Neptune Way, Leeds Road,

Huddersfield, HD2 1UA.

Disposal: Do not dispose of this product as unsorted waste. Collection of such waste must be handled separately as special treatment is necessary.



Recycling facilities are now available for all customers at which you can deposit your old electrical products. Customers can take any old electrical equipment to participate in sites run by their local councils. Please remember that this equipment will be further handled during the recycling process, so please be considerate when depositing your equipment. Please get in touch with the local council for details of your local household waste recycling centres.

PRODUCT FICHE

Supplier's name or trade mark	electriQ			
Supplier's address (b):	Unit 2A, Trident Business Park, Neptune Way, Leeds Road, Huddersfield, HD2 1UA.			
Model identifier	EQ60DWINTP			
General product parameters				
Parameter	Value	Parameter	Value	
Rated capacity (a) (ps)	14	Dimensions in cm	Height	82
			Width	60
			Depth	55
EEI (a)	49,9	Energy efficiency class (a)	D (c)	
Cleaning performance index (a)	1,125	Drying performance index (a)	1,065	
Energy consumption in kWh [per cycle], based on the eco-program using cold water fill. Actual energy consumption will depend on how the appliance is used.	0,849	Water consumption in litres [per cycle], based on the eco program. Actual water consumption will depend on how the appliance is used and on the hardness of the water.	10L	
Program duration (a) (h:min)	3:18	Type	Built-in	
Airborne acoustical noise emissions (a) (dB(A) re 1 pW)	44	Airborne acoustical noise emission class (a)	B (c)	
Off-mode (W)	N/A	Standby mode (W)	0.49	
Delay start (W) (if applicable)	1,00	Networked standby (W) (if applicable)	N/A	